

STARPOWER

SEMICONDUCTOR

IGBT

GD75HHU120C5S

1200V/75A 4 in one-package

General Description

STARPOWER IGBT Power Module provides ultrafast switching speed as well as short circuit ruggedness. It's designed for the applications such as welding machine and inductive heating.

Features

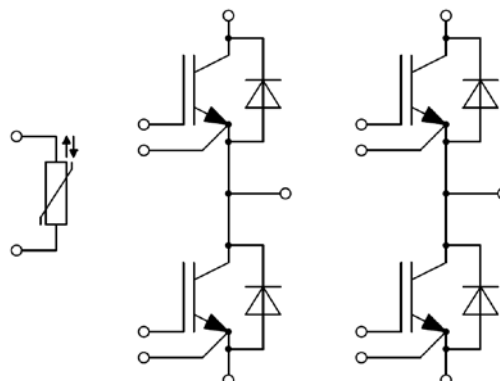
- NPT IGBT technology
- 10 μ s short circuit capability
- Low switching losses
- $V_{CE(sat)}$ with positive temperature coefficient
- Square RBSOA
- Low inductance case
- Fast & soft reverse recovery anti-parallel FWD



Typical Applications

- Switching mode power supply
- Inductive heating
- Welding machine

Equivalent Circuit Schematic



Absolute Maximum Ratings $T_C=25^{\circ}\text{C}$ unless otherwise noted**IGBT**

Symbol	Description	Values	Unit
V_{CES}	Collector-Emitter Voltage	1200	V
V_{GES}	Gate-Emitter Voltage	± 20	V
I_C	Collector Current @ $T_C=25^{\circ}\text{C}$	115	A
	@ $T_C=80^{\circ}\text{C}$	75	
I_{CM}	Pulsed Collector Current $t_p=1\text{ms}$	150	A
P_D	Maximum Power Dissipation @ $T_j=150^{\circ}\text{C}$	667	W

Diode

Symbol	Description	Values	Unit
V_{RRM}	Repetitive Peak Reverse Voltage	1200	V
I_F	Diode Continuous Forward Current	75	A
I_{FM}	Diode Maximum Forward Current $t_p=1\text{ms}$	150	A

Module

Symbol	Description	Values	Unit
T_{jmax}	Maximum Junction Temperature	150	$^{\circ}\text{C}$
T_{jop}	Operating Junction Temperature	-40 to +125	$^{\circ}\text{C}$
T_{STG}	Storage Temperature Range	-40 to +125	$^{\circ}\text{C}$
V_{ISO}	Isolation Voltage RMS, $f=50\text{Hz}$, $t=1\text{min}$	4000	V
M	Mounting Torque, Screw M5	3.0 to 6.0	N.m

IGBT Characteristics $T_c=25^\circ\text{C}$ unless otherwise noted

Symbol	Parameter	Test Conditions	Min.	Typ.	Max.	Unit
$V_{CE(sat)}$	Collector to Emitter Saturation Voltage	$I_C=75\text{A}, V_{GE}=15\text{V}, T_j=25^\circ\text{C}$		3.10	3.55	V
		$I_C=75\text{A}, V_{GE}=15\text{V}, T_j=125^\circ\text{C}$		3.45		
$V_{GE(th)}$	Gate-Emitter Threshold Voltage	$I_C=0.75\text{mA}, V_{CE}=V_{GE}, T_j=25^\circ\text{C}$	4.4	5.2	6.0	V
I_{CES}	Collector Cut-Off Current	$V_{CE}=V_{CES}, V_{GE}=0\text{V}, T_j=25^\circ\text{C}$			5.0	mA
I_{GES}	Gate-Emitter Leakage Current	$V_{GE}=V_{GES}, V_{CE}=0\text{V}, T_j=25^\circ\text{C}$			400	nA
R_{Gint}	Internal Gate Resistance			/		Ω
C_{ies}	Input Capacitance	$V_{CE}=30\text{V}, f=1\text{MHz}, V_{GE}=0\text{V}$		6.35		nF
C_{res}	Reverse Transfer Capacitance				0.23	
Q_G	Gate Charge	$V_{GE}=15\text{V}$		600		nC
$t_{d(on)}$	Turn-On Delay Time	$V_{CC}=600\text{V}, I_C=75\text{A}, R_G=7.5\Omega, V_{GE}=\pm 15\text{V}, T_j=25^\circ\text{C}$		286		ns
t_r	Rise Time			53		ns
$t_{d(off)}$	Turn-Off Delay Time			304		ns
t_f	Fall Time			103		ns
E_{on}	Turn-On Switching Loss			4.16		mJ
E_{off}	Turn-Off Switching Loss			2.17		mJ
$t_{d(on)}$	Turn-On Delay Time	$V_{CC}=600\text{V}, I_C=75\text{A}, R_G=7.5\Omega, V_{GE}=\pm 15\text{V}, T_j=125^\circ\text{C}$		297		ns
t_r	Rise Time			56		ns
$t_{d(off)}$	Turn-Off Delay Time			321		ns
t_f	Fall Time			136		ns
E_{on}	Turn-On Switching Loss			5.82		mJ
E_{off}	Turn-Off Switching Loss			3.44		mJ
I_{SC}	SC Data	$t_p \leq 10\mu\text{s}, V_{GE}=15\text{V}, T_j=125^\circ\text{C}, V_{CC}=900\text{V}, V_{CEM} \leq 1200\text{V}$		675		A

Diode Characteristics $T_C=25^\circ\text{C}$ unless otherwise noted

Symbol	Parameter	Test Conditions	Min.	Typ.	Max.	Units
V_F	Diode Forward Voltage	$I_C=75\text{A}, V_{GE}=0\text{V}, T_j=25^\circ\text{C}$		1.75	2.20	V
		$I_C=75\text{A}, V_{GE}=0\text{V}, T_j=125^\circ\text{C}$		1.85		
Q_r	Recovered Charge			3.6		μC
I_{RM}	Peak Reverse Recovery Current	$V_R=600\text{V}, I_F=75\text{A}, R_G=7.5\Omega, V_{GE}=-15\text{V}$		63		A
E_{rec}	Reverse Recovery Energy	$T_j=25^\circ\text{C}$		2.21		mJ
Q_r	Recovered Charge			7.9		μC
I_{RM}	Peak Reverse Recovery Current	$V_R=600\text{V}, I_F=75\text{A}, R_G=7.5\Omega, V_{GE}=-15\text{V}$		73		A
E_{rec}	Reverse Recovery Energy	$T_j=125^\circ\text{C}$		4.48		mJ

NTC Characteristics $T_C=25^\circ\text{C}$ unless otherwise noted

Symbol	Parameter	Test Conditions	Min.	Typ.	Max.	Units
R_{25}	Rated Resistance			5.0		$\text{k}\Omega$
$\Delta R/R$	Deviation of R_{100}	$T_C=100^\circ\text{C}, R_{100}=493.3\Omega$	-5		5	%
P_{25}	Power Dissipation				20.0	mW
$B_{25/50}$	B-value	$R_2=R_{25}\exp[B_{25/50}(1/T_2-1/(298.15\text{K}))]$		3375		K

Module Characteristics $T_C=25^\circ\text{C}$ unless otherwise noted

Symbol	Parameter	Min.	Typ.	Max.	Unit
L_{CE}	Stray Inductance		30		nH
$R_{CC'+EE'}$	Module Lead Resistance, Terminal to Chip		2.20		$\text{m}\Omega$
$R_{\theta JC}$	Junction-to-Case (per IGBT)			0.225	K/W
	Junction-to-Case (per Diode)			0.370	
$R_{\theta CS}$	Case-to-Sink (per IGBT)		0.129		K/W
	Case-to-Sink (per Diode)		0.212		
$R_{\theta CS}$	Case-to-Sink		0.02		K/W
G	Weight of Module		200		g

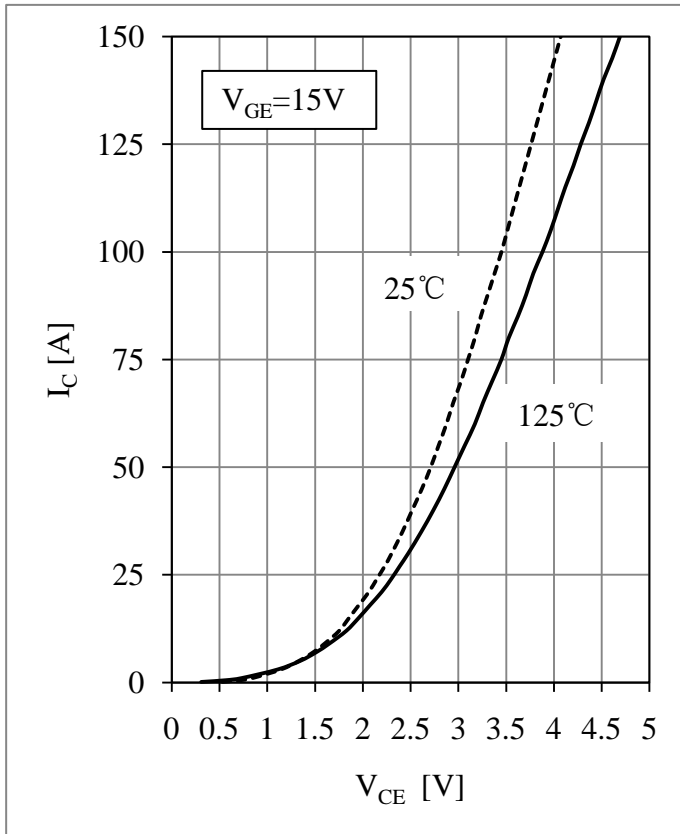


Fig 1. IGBT Output Characteristics

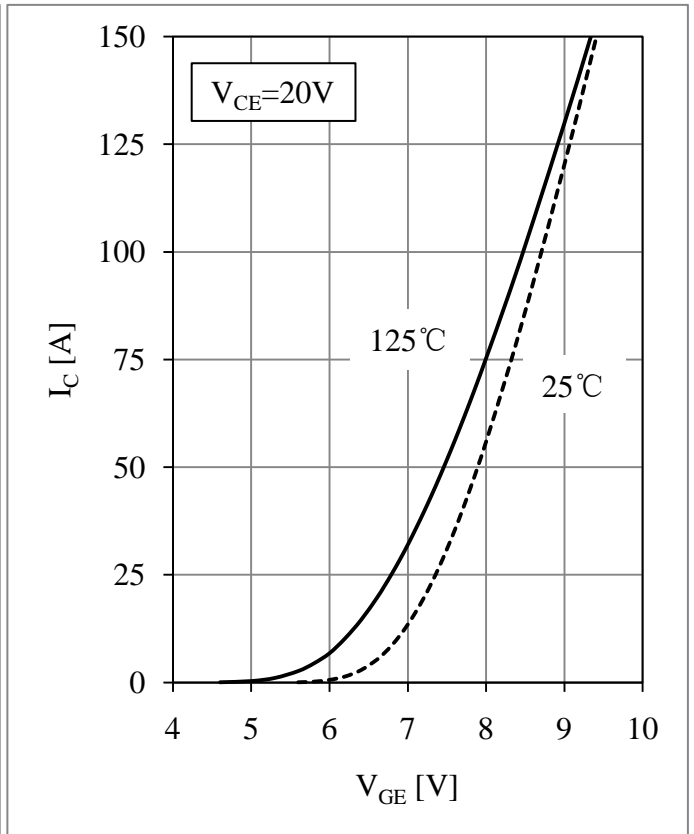


Fig 2. IGBT Transfer Characteristics

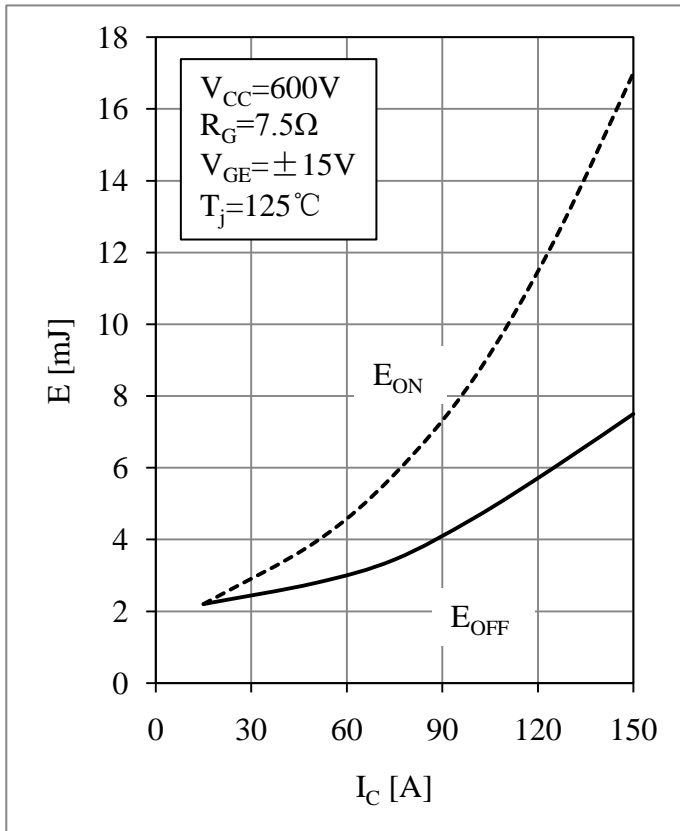


Fig 3. IGBT Switching Loss vs. I_C

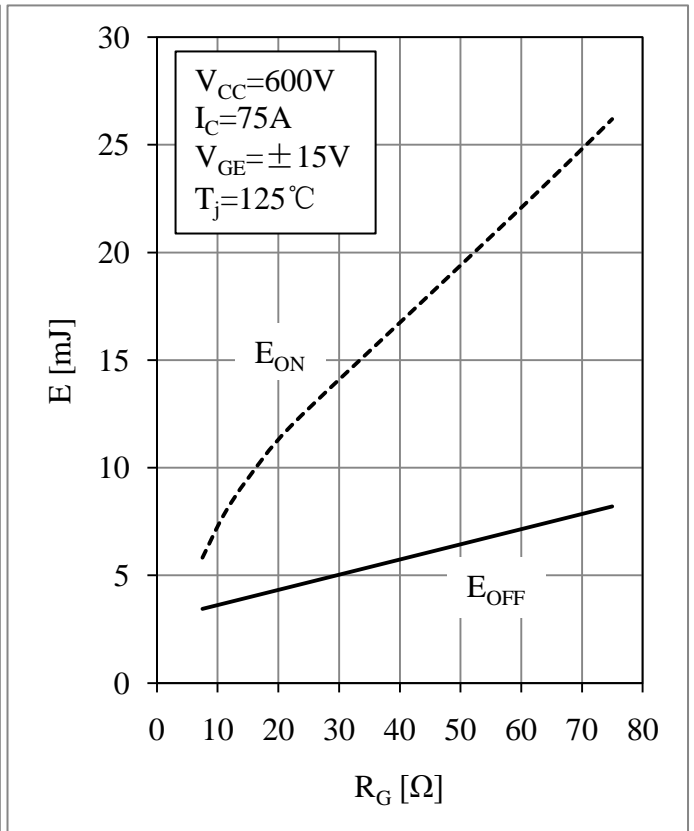


Fig 4. IGBT Switching Loss vs. R_G

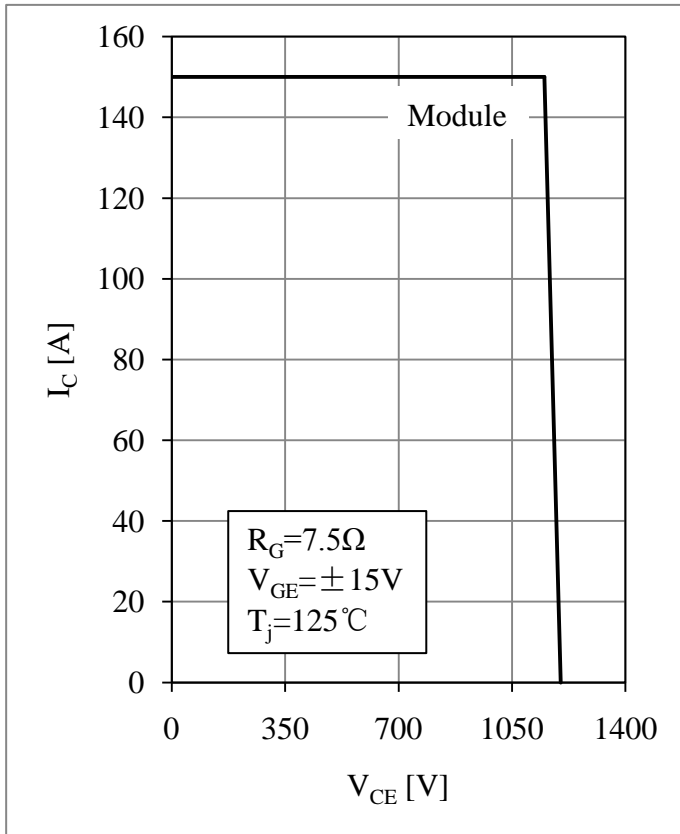


Fig 5. RBSOA

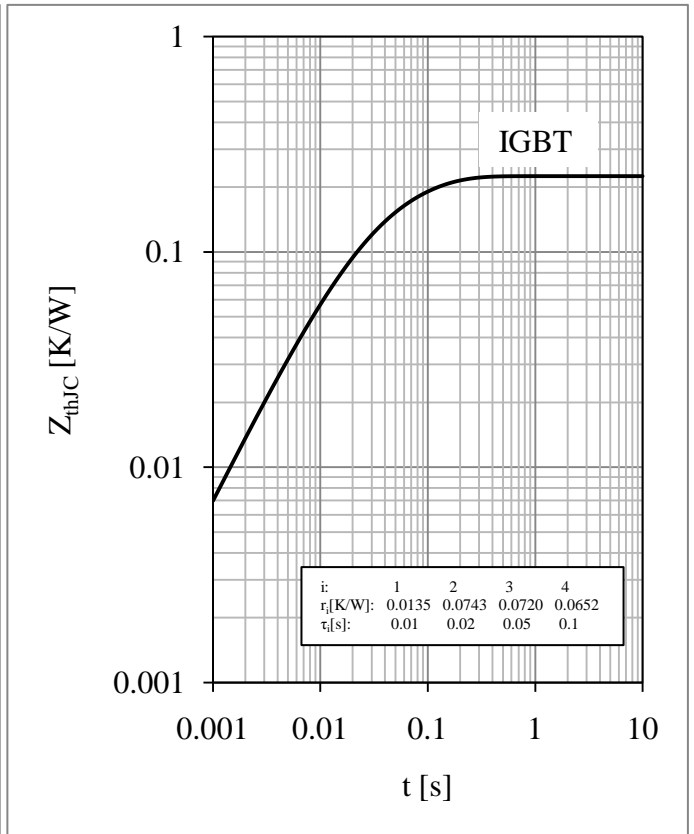


Fig 6. IGBT Transient Thermal Impedance

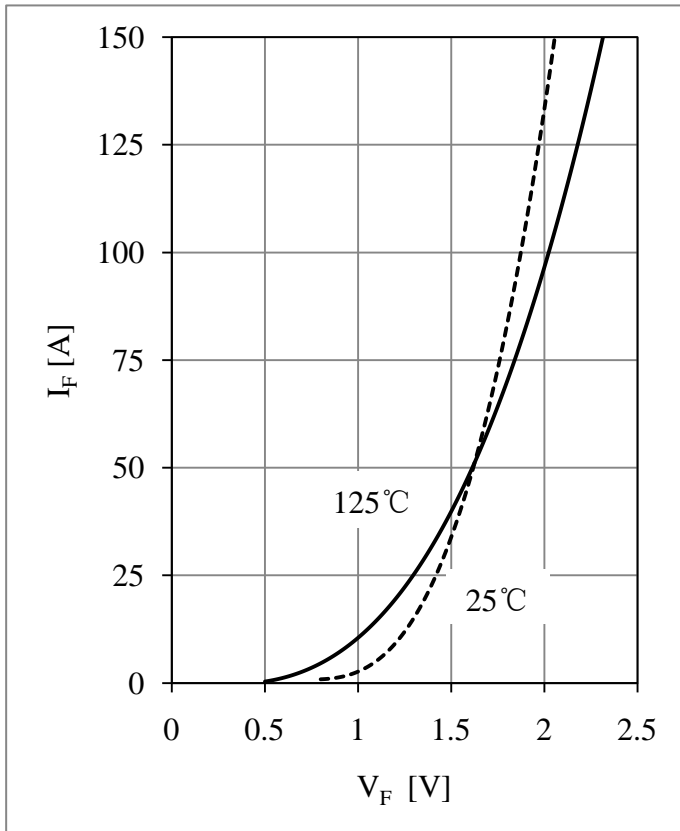


Fig 7. Diode Forward Characteristics

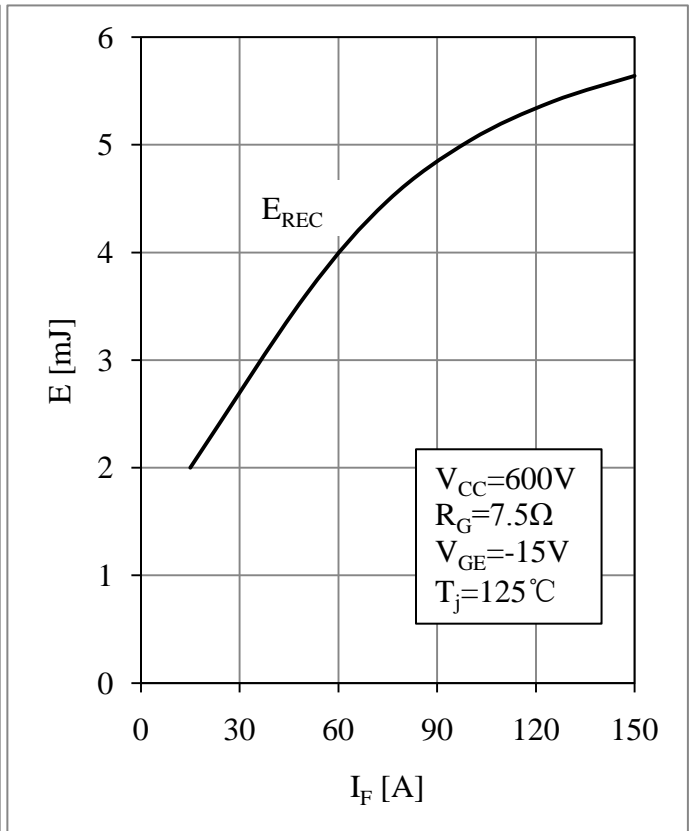


Fig 8. Diode Switching Loss vs. I_F

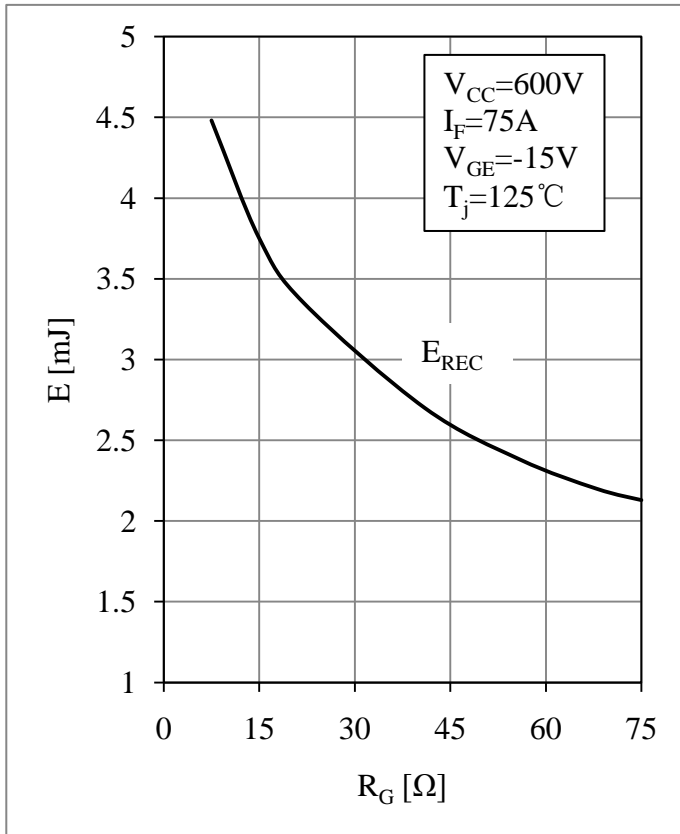


Fig 9. Diode Switching Loss vs. R_G

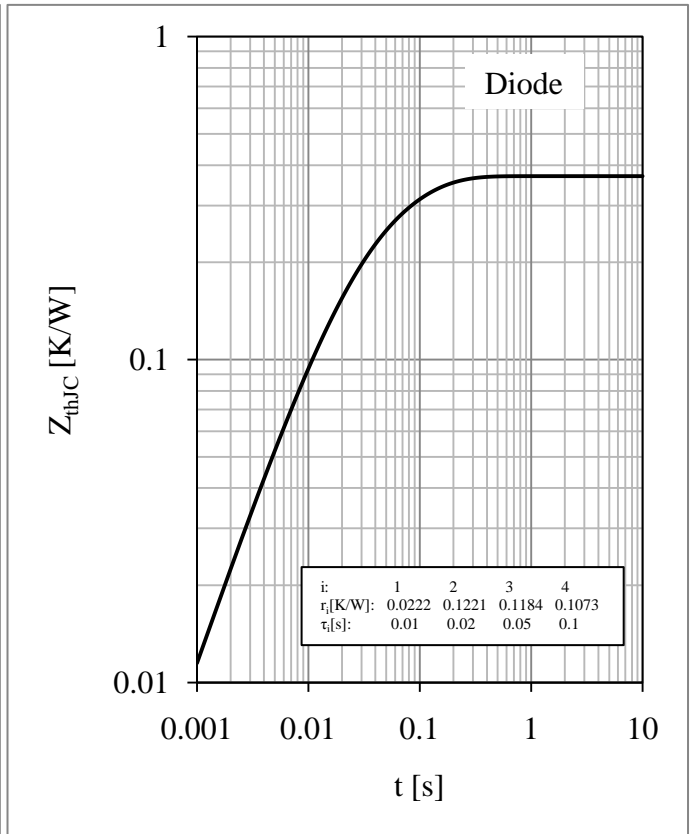


Fig 10. Diode Transient Thermal Impedance

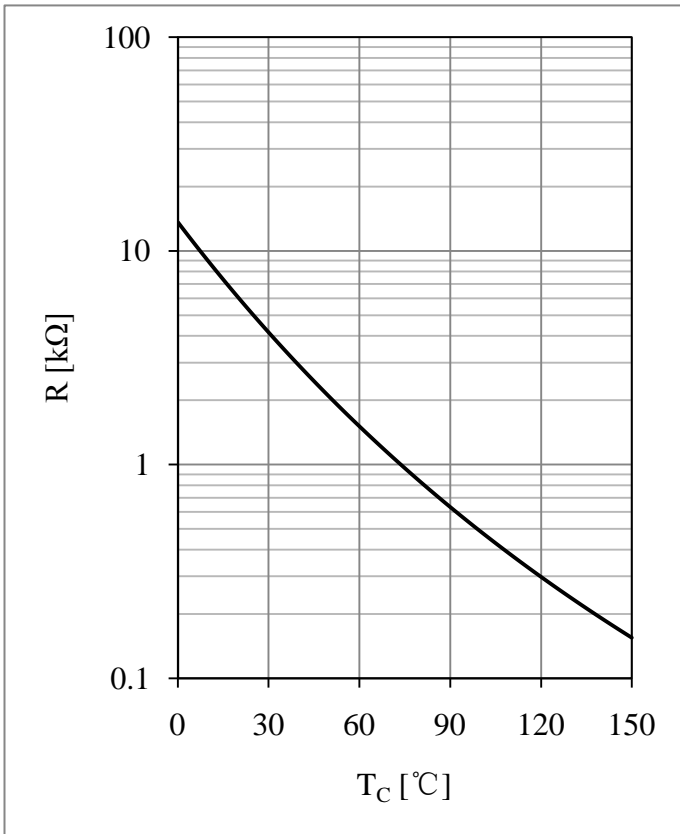
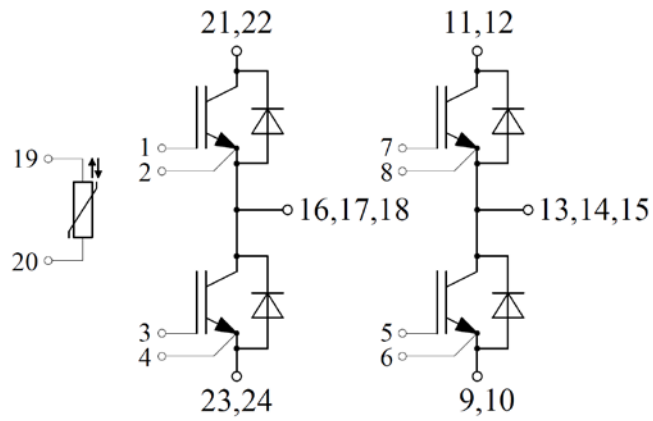


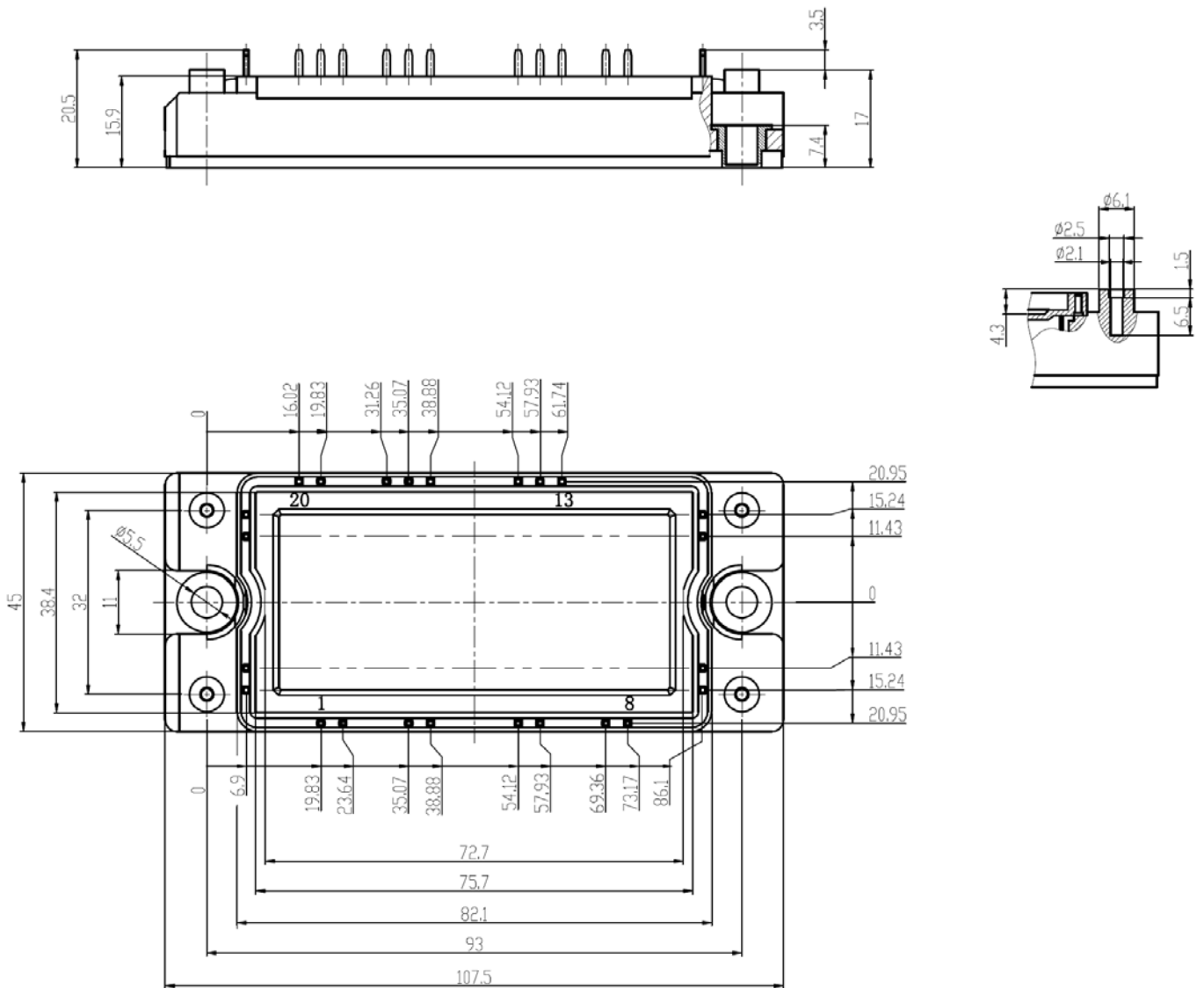
Fig 11. NTC Temperature Characteristic

Circuit Schematic



Package Dimensions

Dimensions in Millimeters



Terms and Conditions of Usage

The data contained in this product datasheet is exclusively intended for technically trained staff. you and your technical departments will have to evaluate the suitability of the product for the intended application and the completeness of the product data with respect to such application.

This product data sheet is describing the characteristics of this product for which a warranty is granted. Any such warranty is granted exclusively pursuant the terms and conditions of the supply agreement. There will be no guarantee of any kind for the product and its characteristics.

Should you require product information in excess of the data given in this product data sheet or which concerns the specific application of our product, please contact the sales office, which is responsible for you (see www.powersemi.cc), For those that are specifically interested we may provide application notes.

Due to technical requirements our product may contain dangerous substances. For information on the types in question please contact the sales office, which is responsible for you.

Should you intend to use the Product in aviation applications, in health or live endangering or life support applications, please notify.

If and to the extent necessary, please forward equivalent notices to your customers.
Changes of this product data sheet are reserved.