

STARPOWER

SEMICONDUCTOR

IGBT

GD75FFK60C5S

Molding Type Module

600V/75A 6 in one-package

General Description

STARPOWER IGBT Power Module provides ultra low conduction loss as well as short circuit ruggedness. They are designed for the applications such as general inverters and UPS.



Features

- NPT IGBT technology
- 10 μ s short circuit capability
- $V_{CE(sat)}$ with positive temperature coefficient
- Rugged with ultrafast performance
- Square RBSOA
- Low inductance case
- Fast & soft reverse recovery anti-parallel FWD
- Isolated copper baseplate using DBC technology

Typical Applications

- Inverter for motor drive
- AC and DC servo drive amplifier
- Uninterruptible power supply

Absolute Maximum Ratings $T_C=25^\circ\text{C}$ unless otherwise noted

Symbol	Description	GD75FFK60C5S	Units
V_{CES}	Collector-Emitter Voltage	600	V
V_{GES}	Gate-Emitter Voltage	± 20	V
I_C	Collector Current @ $T_C=25^\circ\text{C}$ @ $T_C=80^\circ\text{C}$	105 75	A
I_{CM}	Pulsed Collector Current $t_p=1\text{ms}$	150	A
I_F	Diode Continuous Forward Current	75	A
I_{FM}	Diode Maximum Forward Current $t_p=1\text{ms}$	150	A
P_D	Maximum Power Dissipation @ $T_j=150^\circ\text{C}$	279	W
T_{jmax}	Maximum Junction Temperature	150	$^\circ\text{C}$
T_{jop}	Operating Junction Temperature	-40 to +125	$^\circ\text{C}$
T_{STG}	Storage Temperature Range	-40 to +125	$^\circ\text{C}$
V_{ISO}	Isolation Voltage RMS, $f=50\text{Hz}$, $t=1\text{min}$	2500	V
Mounting Torque	Mounting Screw:M5	3.0 to 6.0	N.m

Electrical Characteristics of IGBT $T_C=25^\circ\text{C}$ unless otherwise noted**Off Characteristics**

Symbol	Parameter	Test Conditions	Min.	Typ.	Max.	Units
$V_{(BR)CES}$	Collector-Emitter Breakdown Voltage	$T_j=25^\circ\text{C}$	600			V
I_{CES}	Collector Cut-Off Current	$V_{CE}=V_{CES}$, $V_{GE}=0\text{V}$, $T_j=25^\circ\text{C}$			5.0	mA
I_{GES}	Gate-Emitter Leakage Current	$V_{GE}=V_{GES}$, $V_{CE}=0\text{V}$, $T_j=25^\circ\text{C}$			400	nA

On Characteristics

Symbol	Parameter	Test Conditions	Min.	Typ.	Max.	Units
$V_{GE(th)}$	Gate-Emitter Threshold Voltage	$I_C=250\mu\text{A}$, $V_{CE}=V_{GE}$, $T_j=25^\circ\text{C}$	3.5	4.5	5.5	V
$V_{CE(sat)}$	Collector to Emitter Saturation Voltage	$I_C=75\text{A}$, $V_{GE}=15\text{V}$, $T_j=25^\circ\text{C}$		1.90	2.35	V
		$I_C=75\text{A}$, $V_{GE}=15\text{V}$, $T_j=125^\circ\text{C}$		2.20		

Switching Characteristics

Symbol	Parameter	Test Conditions	Min.	Typ.	Max.	Units
$t_{d(on)}$	Turn-On Delay Time	$V_{CC}=300V, I_C=75A,$ $R_G=18\Omega, V_{GE}=\pm 15V,$ $T_j=25^\circ C$		217		ns
t_r	Rise Time			72		ns
$t_{d(off)}$	Turn-Off Delay Time			230		ns
t_f	Fall Time			88		ns
E_{on}	Turn-On Switching Loss			1.69		mJ
E_{off}	Turn-Off Switching Loss			1.33		mJ
$t_{d(on)}$	Turn-On Delay Time	$V_{CC}=300V, I_C=75A,$ $R_G=18\Omega, V_{GE}=\pm 15V,$ $T_j=125^\circ C$		213		ns
t_r	Rise Time			72		ns
$t_{d(off)}$	Turn-Off Delay Time			236		ns
t_f	Fall Time			103		ns
E_{on}	Turn-On Switching Loss			1.79		mJ
E_{off}	Turn-Off Switching Loss			1.80		mJ
C_{ies}	Input Capacitance	$V_{CE}=30V, f=1MHz,$ $V_{GE}=0V$		4.30		nF
C_{oes}	Output Capacitance			0.35		nF
C_{res}	Reverse Transfer Capacitance			0.16		nF
I_{SC}	SC Data	$t_p \leq 10\mu s, V_{GE}=15V,$ $T_j=125^\circ C, V_{CC}=360V,$ $V_{CEM} \leq 600V$		675		A
L_{CE}	Stray Inductance			60		nH
$R_{CC'+EE'}$	Module Lead Resistance, Terminal To Chip			8.0		m Ω

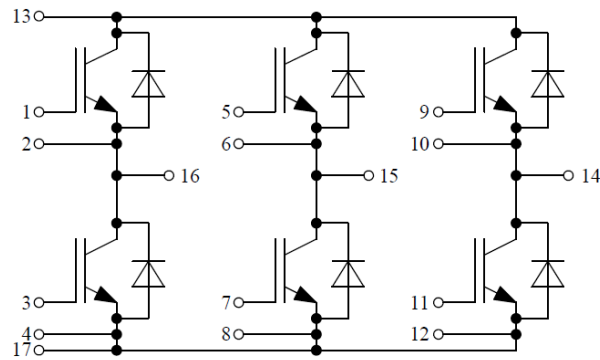
Electrical Characteristics of Diode $T_C=25^\circ C$ unless otherwise noted

Symbol	Parameter	Test Conditions	Min.	Typ.	Max.	Units
V_F	Diode Forward Voltage	$I_F=75A$	$T_j=25^\circ C$	1.45	1.85	V
			$T_j=125^\circ C$	1.50		
Q_r	Recovered Charge	$I_F=75A,$	$T_j=25^\circ C$	3.2		μC
			$T_j=125^\circ C$	4.2		
I_{RM}	Peak Reverse Recovery Current	$V_R=300V,$ $R_G=18\Omega,$	$T_j=25^\circ C$	49		A
			$T_j=125^\circ C$	51		
E_{rec}	Reverse Recovery Energy	$V_{GE}=-15V$	$T_j=25^\circ C$	0.76		mJ
			$T_j=125^\circ C$	0.96		

Thermal Characteristics

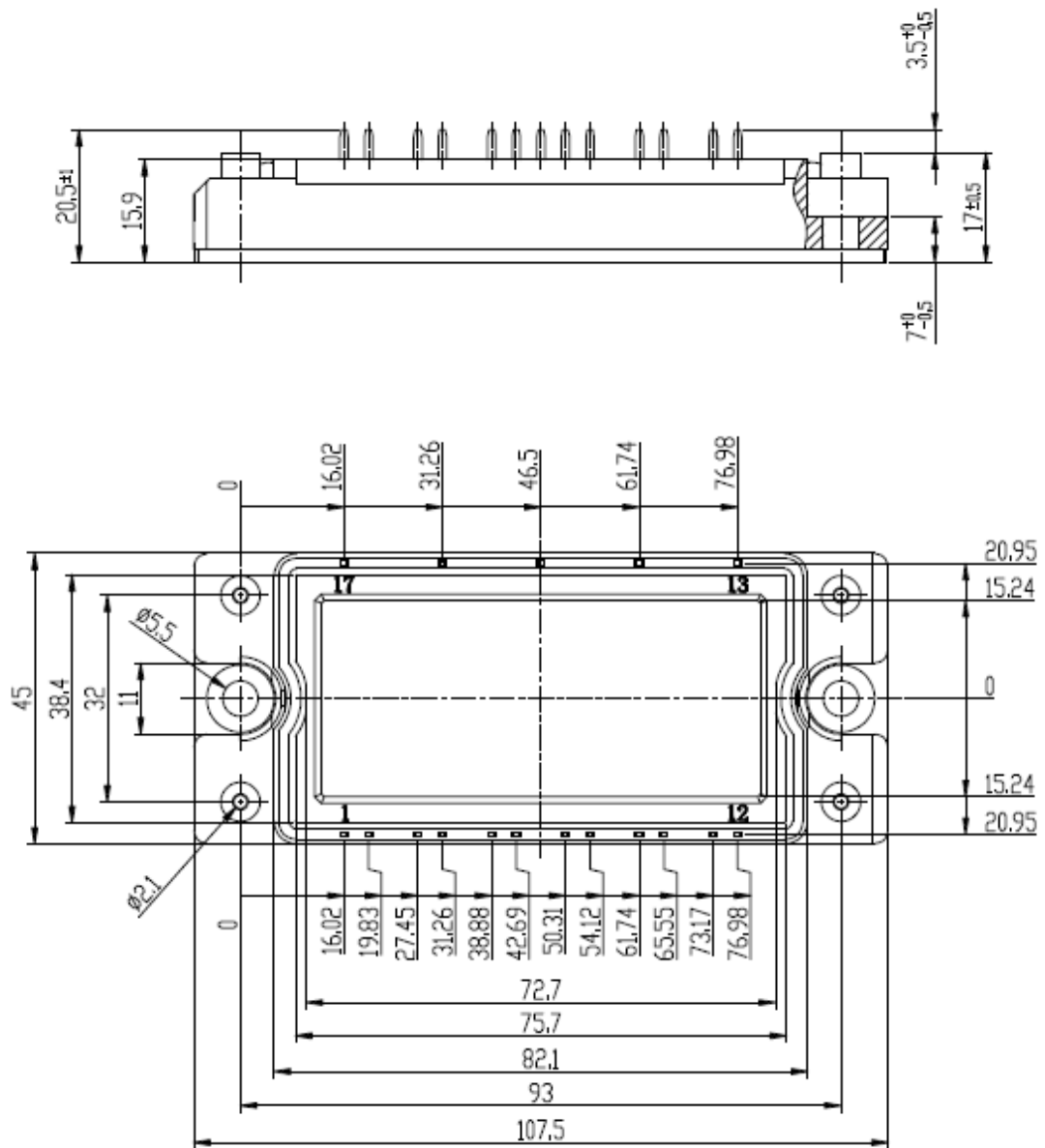
Symbol	Parameter	Typ.	Max.	Units
$R_{\theta JC}$	Junction-to-Case (per IGBT)		0.448	K/W
$R_{\theta JC}$	Junction-to-Case (per Diode)		0.710	K/W
$R_{\theta CS}$	Case-to-Sink (Conductive grease applied)	0.02		K/W
Weight	Weight of Module	200		g

Equivalent Circuit Schematic



Package Dimensions

Dimensions in Millimeters



Terms and Conditions of Usage

The data contained in this product datasheet is exclusively intended for technically trained staff. you and your technical departments will have to evaluate the suitability of the product for the intended application and the completeness of the product data with respect to such application.

This product data sheet is describing the characteristics of this product for which a warranty is granted. Any such warranty is granted exclusively pursuant the terms and conditions of the supply agreement. There will be no guarantee of any kind for the product and its characteristics.

Should you require product information in excess of the data given in this product data sheet or which concerns the specific application of our product, please contact the sales office, which is responsible for you (see www.powersemi.cc), For those that are specifically interested we may provide application notes.

Due to technical requirements our product may contain dangerous substances. For information on the types in question please contact the sales office, which is responsible for you.

Should you intend to use the Product in aviation applications, in health or live endangering or life support applications, please notify.

If and to the extent necessary, please forward equivalent notices to your customers.
Changes of this product data sheet are reserved.