

# STARPOWER

SEMICONDUCTOR

**IGBT**

## GD50PIT60C6S

**Molding Type Module****600V/50A PIM in one-package**

### General Description

STARPOWER IGBT Power Module provides ultra low conduction loss as well as short circuit ruggedness. They are designed for the applications such as general inverters and UPS.



### Features

- Low  $V_{CE(sat)}$  Trench IGBT technology
- 5 $\mu$ s short circuit capability
- $V_{CE(sat)}$  with positive temperature coefficient
- Maximum junction temperature 175 °C
- Low inductance case
- Fast & soft reverse recovery anti-parallel FWD
- Isolated copper baseplate using DBC technology

### Typical Applications

- Inverter for motor drive
- AC and DC servo drive amplifier
- Uninterruptible power supply

**IGBT-inverter**  $T_C=25^\circ\text{C}$  unless otherwise noted**Maximum Rated Values**

Symbol	Description	GD50PIT60C6S	Units
$V_{CES}$	Collector-Emitter Voltage @ $T_j=25^\circ\text{C}$	600	V
$V_{GES}$	Gate-Emitter Voltage @ $T_j=25^\circ\text{C}$	$\pm 20$	V
$I_C$	Collector Current @ $T_C=25^\circ\text{C}$ @ $T_C=80^\circ\text{C}$	69 50	A
$I_{CM}$	Pulsed Collector Current $t_p=1\text{ms}$	100	A
$P_{tot}$	Total Power Dissipation @ $T_j=175^\circ\text{C}$	202	W

**Off Characteristics**

Symbol	Parameter	Test Conditions	Min.	Typ.	Max.	Units
$V_{(BR)CES}$	Collector-Emitter Breakdown Voltage	$T_j=25^\circ\text{C}$	600			V
$I_{CES}$	Collector Cut-Off Current	$V_{CE}=V_{CES}, V_{GE}=0\text{V},$ $T_j=25^\circ\text{C}$			5.0	mA
$I_{GES}$	Gate-Emitter Leakage Current	$V_{GE}=V_{GES}, V_{CE}=0\text{V},$ $T_j=25^\circ\text{C}$			400	nA

**On Characteristics**

Symbol	Parameter	Test Conditions	Min.	Typ.	Max.	Units
$V_{GE(th)}$	Gate-Emitter Threshold Voltage	$I_C=1.4\text{mA}, V_{CE}=V_{GE},$ $T_j=25^\circ\text{C}$	4.0	4.9	6.5	V
$V_{CE(sat)}$	Collector to Emitter Saturation Voltage	$I_C=50\text{A}, V_{GE}=15\text{V},$ $T_j=25^\circ\text{C}$		1.65	2.10	V
		$I_C=50\text{A}, V_{GE}=15\text{V},$ $T_j=125^\circ\text{C}$		1.90		

**Switching Characteristics**

Symbol	Parameter	Test Conditions	Min.	Typ.	Max.	Units
$t_{d(on)}$	Turn-On Delay Time	$V_{CC}=300V, I_C=50A,$ $R_G=3.3\Omega, V_{GE}=\pm 15V,$ $T_j=25^\circ C$		58		ns
$t_r$	Rise Time			31		ns
$t_{d(off)}$	Turn-Off Delay Time			80		ns
$t_f$	Fall Time			100		ns
$E_{on}$	Turn-On Switching Loss			0.41		mJ
$E_{off}$	Turn-Off Switching Loss			0.42		mJ
$t_{d(on)}$	Turn-On Delay Time	$V_{CC}=300V, I_C=50A,$ $R_G=3.3\Omega, V_{GE}=\pm 15V,$ $T_j=125^\circ C$		64		ns
$t_r$	Rise Time			37		ns
$t_{d(off)}$	Turn-Off Delay Time			90		ns
$t_f$	Fall Time			117		ns
$E_{on}$	Turn-On Switching Loss			0.69		mJ
$E_{off}$	Turn-Off Switching Loss			0.69		mJ
$C_{ies}$	Input Capacitance	$V_{CE}=30V, f=1Mhz,$ $V_{GE}=0V$		3.03		nF
$C_{res}$	Reverse Transfer Capacitance			0.09		nF
$Q_G$	Gate Charge	$V_{CC}=400V, I_C=50A,$ $V_{GE}=15V$		99		nC
$I_{SC}$	SC Data	$t_p \leq 5\mu s, V_{GE}=15V,$ $T_j=125^\circ C, V_{CC}=360V,$ $V_{CEM} \leq 600V$		450		A

**Diode-inverter**  $T_C=25^\circ C$  unless otherwise noted**Maximum Rated Values**

Symbol	Description	GD50PIT60C6S	Units
$V_{RRM}$	Repetitive Peak Reverse Voltage @ $T_j=25^\circ C$	600	V
$I_F$	DC Forward Current	50	A
$I_{FRM}$	Repetitive Peak Forward Current $t_p=1ms$	100	A

**Characteristics Values**

Symbol	Parameter	Test Conditions	Min.	Typ.	Max.	Units
$V_F$	Diode Forward Vd tage	$I_F=50A, V_{GE}=0V$	$T_j=25^\circ C$	1.35	1.75	V
			$T_j=125^\circ C$	1.37		
$Q_r$	Recovered Charge	$I_F=50A,$ $V_R=300V,$ $R_G=3.3\Omega,$ $V_{GE}=-15V$	$T_j=25^\circ C$	2.3		$\mu C$
			$T_j=125^\circ C$	4.3		
$I_{RM}$	Peak Reverse Recovery Current	$V_R=300V,$ $R_G=3.3\Omega,$ $V_{GE}=-15V$	$T_j=25^\circ C$	33		A
			$T_j=125^\circ C$	58		
$E_{rec}$	Reverse Recovery Energy	$V_R=300V,$ $R_G=3.3\Omega,$ $V_{GE}=-15V$	$T_j=25^\circ C$	0.56		mJ
			$T_j=125^\circ C$	1.11		

**Diode-rectifier**  $T_C=25^\circ\text{C}$  unless otherwise noted**Maximum Rated Values**

Symbol	Description	GD50PIT60C6S	Units
$V_{RRM}$	Repetitive Peak Reverse Voltage @ $T_j=25^\circ\text{C}$	1600	V
$I_{F(AV)}$	Average On-state Current	50	A
$I_{FSM}$	Surge Forward Current $V_R=0V, t_p=10\text{ms}, T_j=45^\circ\text{C}$	850	A
$I^2t$	$I^2t$ -value, $V_R=0V, t_p=10\text{ms}, T_j=45^\circ\text{C}$	3610	$\text{A}^2\text{s}$

**Characteristics Values**

Symbol	Parameter	Test Conditions	Min.	Typ.	Max.	Units
$V_F$	Diode Forward Voltage	$I_F=50\text{A}$ $T_j=150^\circ\text{C}$		1.03		V
$I_R$	Reverse Current	$T_j=150^\circ\text{C}, V_R=1600\text{V}$			1.5	mA

**IGBT-brake-chopper**  $T_C=25^\circ\text{C}$  unless otherwise noted**Maximum Rated Values**

Symbol	Description	GD50PIT60C6S	Units
$V_{CES}$	Collector-Emitter Voltage @ $T_j=25^\circ\text{C}$	600	V
$V_{GES}$	Gate-Emitter Voltage @ $T_j=25^\circ\text{C}$	$\pm 20$	V
$I_C$	Collector Current @ $T_C=25^\circ\text{C}$ @ $T_C=75^\circ\text{C}$	67 50	A
$I_{CM}$	Pulsed Collector Current $t_p=1\text{ms}$	100	A
$P_{tot}$	Total Power Dissipation @ $T_j=175^\circ\text{C}$	195	W

**Off Characteristics**

Symbol	Parameter	Test Conditions	Min.	Typ.	Max.	Units
$V_{(BR)CES}$	Collector-Emitter Breakdown Voltage	$T_j=25^\circ\text{C}$	600			V
$I_{CES}$	Collector Cut-Off Current	$V_{CE}=V_{CES}, V_{GE}=0V,$ $T_j=25^\circ\text{C}$			5.0	mA
$I_{GES}$	Gate-Emitter Leakage Current	$V_{GE}=V_{GES}, V_{CE}=0V,$ $T_j=25^\circ\text{C}$			400	nA

**On Characteristics**

Symbol	Parameter	Test Conditions	Min.	Typ.	Max.	Units
$V_{GE(th)}$	Gate-Emitter Threshold Voltage	$I_C=1.4\text{mA}, V_{CE}=V_{GE},$ $T_j=25^\circ\text{C}$	4.0	4.9	6.5	V
$V_{CE(sat)}$	Collector to Emitter Saturation Voltage	$I_C=50\text{A}, V_{GE}=15\text{V},$ $T_j=25^\circ\text{C}$		1.65	2.10	V
		$I_C=50\text{A}, V_{GE}=15\text{V},$ $T_j=125^\circ\text{C}$		1.90		

### Switching Characteristics

Symbol	Parameter	Test Conditions	Min.	Typ.	Max.	Units
$t_{d(on)}$	Turn-On Delay Time	$V_{CC}=300V, I_C=50A,$ $R_G=3.3\Omega, V_{GE}=\pm 15V,$ $T_j=25^\circ C$		58		ns
$t_r$	Rise Time			31		ns
$t_{d(off)}$	Turn-Off Delay Time			80		ns
$t_f$	Fall Time			100		ns
$E_{on}$	Turn-On Switching Loss			0.41		mJ
$E_{off}$	Turn-Off Switching Loss			0.42		mJ
$t_{d(on)}$	Turn-On Delay Time	$V_{CC}=300V, I_C=50A,$ $R_G=3.3\Omega, V_{GE}=\pm 15V,$ $T_j=125^\circ C$		64		ns
$t_r$	Rise Time			37		ns
$t_{d(off)}$	Turn-Off Delay Time			90		ns
$t_f$	Fall Time			117		ns
$E_{on}$	Turn-On Switching Loss			0.69		mJ
$E_{off}$	Turn-Off Switching Loss			0.69		mJ
$C_{ies}$	Input Capacitance	$V_{CE}=30V, f=1Mhz,$ $V_{GE}=0V$		3.03		nF
$C_{res}$	Reverse Transfer Capacitance			0.09		nF
$Q_G$	Gate Charge	$V_{CC}=400V, I_C=50A,$ $V_{GE}=15V$		99		nC
$I_{SC}$	SC Data	$t_p \leq 5\mu s, V_{GE}=15V,$ $T_j=125^\circ C, V_{CC}=360V,$ $V_{CEM} \leq 600V$		450		A

### Diode-brake-chopper $T_C=25^\circ C$ unless otherwise noted

#### Maximum Rated Values

Symbol	Description	GD50PIT60C6S	Units
$V_{RRM}$	Repetitive Peak Reverse Voltage @ $T_j=25^\circ C$	600	V
$I_F$	DC Forward Current	30	A
$I_{FRM}$	Repetitive Peak Forward Current $t_p=1ms$	60	A

#### Characteristics Values

Symbol	Parameter	Test Conditions	Min.	Typ.	Max.	Units	
$V_F$	Diode Forward Vd tage	$I_F=30A, V_{GE}=0V$	$T_j=25^\circ C$		1.45	1.90	V
			$T_j=125^\circ C$		1.43		
$Q_r$	Recovered Charge	$I_F=30A$	$T_j=25^\circ C$		1.6		$\mu C$
			$T_j=125^\circ C$		2.3		
$I_{RM}$	Peak Reverse Recovery Current	$V_R=300V,$ $R_G=15\Omega,$ $V_{GE}=-15V$	$T_j=25^\circ C$		29		A
			$T_j=125^\circ C$		30		
$E_{rec}$	Reverse Recovery Energy		$T_j=25^\circ C$		0.33		mJ
			$T_j=125^\circ C$		0.40		

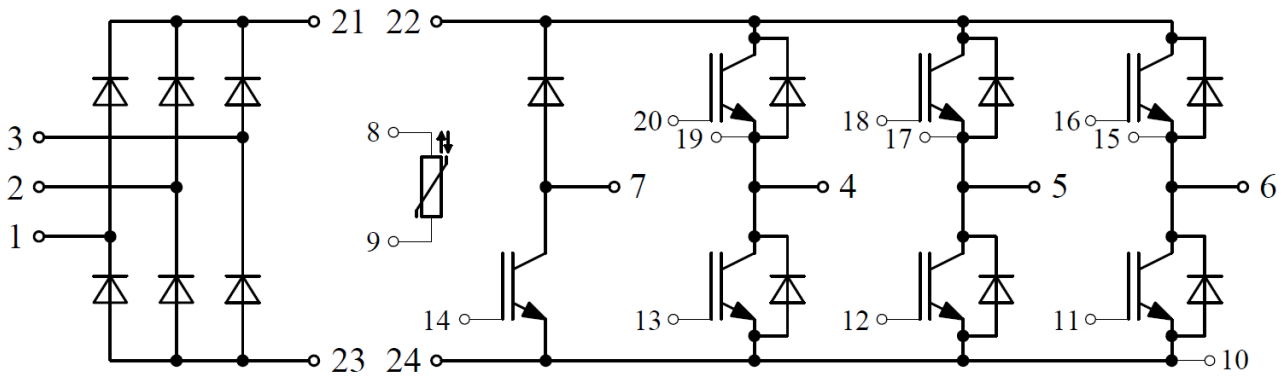
**Electrical Characteristics of NTC**  $T_C=25^\circ\text{C}$  unless otherwise noted

Symbol	Parameter	Test Conditions	Min.	Typ.	Max.	Units
$R_{25}$	Rated Resistance			5.0		$\text{k}\Omega$
$\Delta R/R$	Deviation of $R_{100}$	$T_C=100^\circ\text{C}, R_{100}=493.3\Omega$	-5		5	%
$P_{25}$	Power Dissipation				20.0	mW
$B_{25/50}$	B-value	$R_2=R_{25}\exp[B_{25/50}(1/T_2-1/(298.15\text{K}))]$		3375		K

**IGBT Module**

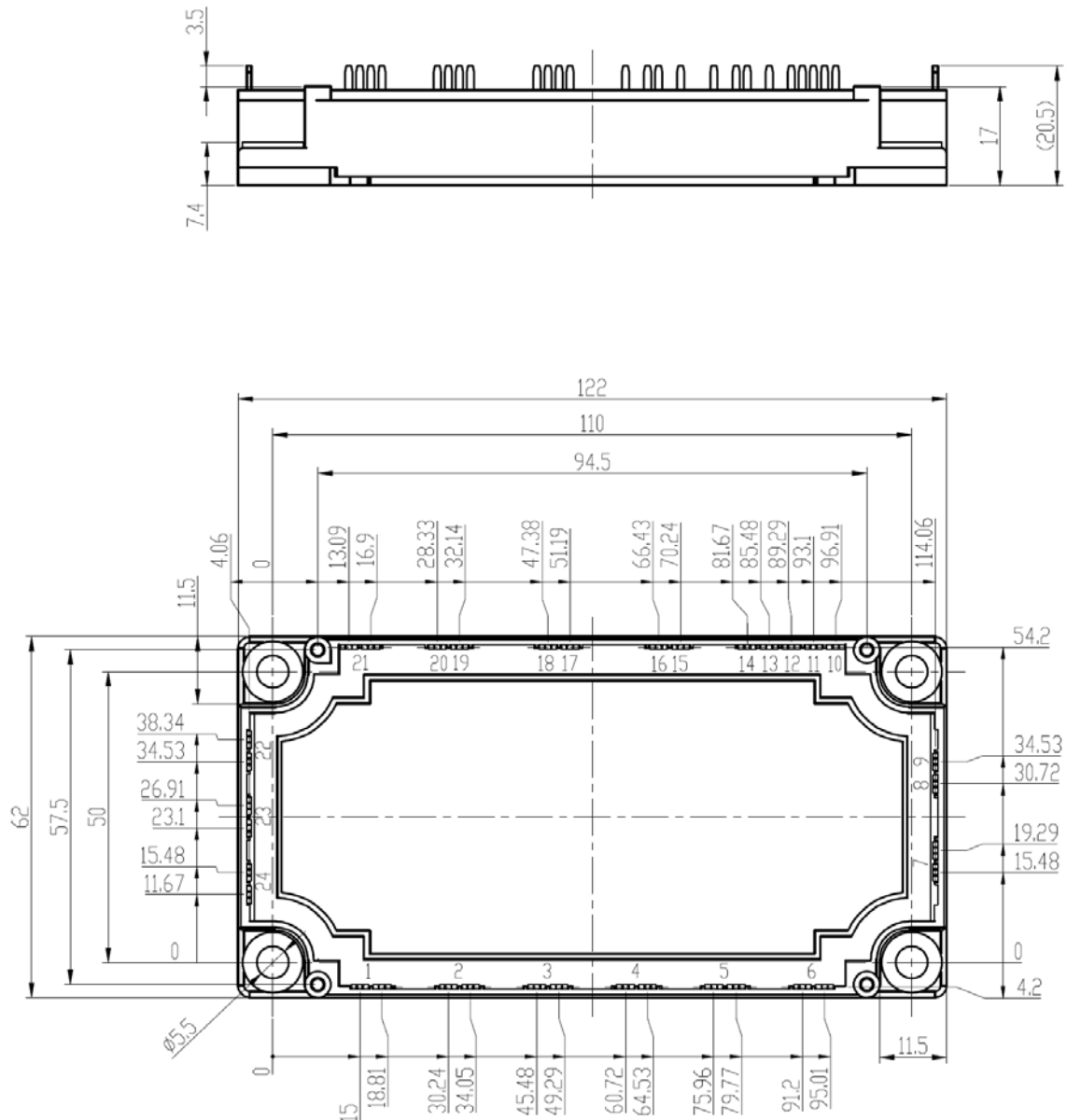
Symbol	Parameter	Min.	Typ.	Max.	Units
$V_{\text{ISO}}$	Isolation Voltage RMS, $f=50\text{Hz}, t=1\text{min}$	4000			V
$L_{\text{CE}}$	Stray Inductance		60		nH
$R_{\text{CC}'+\text{EE}'}$ $R_{\text{AA}'+\text{CC}'}$	Module Lead Resistance, Terminal to Chip @ $T_C=25^\circ\text{C}$		4.00 2.00		$\text{m}\Omega$
$R_{\theta\text{JC}}$	Junction-to-Case (per IGBT-inverter) Junction-to-Case (per Diode-inverter) Junction-to-Case (per Diode-rectifier) Junction-to-Case (per IGBT-brake-chopper) Junction-to-Case (per Diode-brake-chopper)			0.741 1.045 0.638 0.770 1.567	K/W
$R_{\theta\text{CS}}$	Case-to-Sink (Conductive grease applied)		0.009		K/W
$T_{\text{jmax}}$	Maximum Junction Temperature (inverter, brake) Maximum Junction Temperature(rectifier)			175 150	$^\circ\text{C}$
$T_{\text{jop}}$	Operating Junction Temperature	-40		150	$^\circ\text{C}$
$T_{\text{STG}}$	Storage Temperature Range	-40		125	$^\circ\text{C}$
M	Mounting Torque, Screw:M5	3.0		6.0	N.m
G	Weight of Module		300		g

**Equivalent Circuit Schematic**



**Package Dimensions**

Dimensions in Millimeters



## Terms and Conditions of Usage

The data contained in this product datasheet is exclusively intended for technically trained staff. you and your technical departments will have to evaluate the suitability of the product for the intended application and the completeness of the product data with respect to such application.

This product data sheet is describing the characteristics of this product for which a warranty is granted. Any such warranty is granted exclusively pursuant the terms and conditions of the supply agreement. There will be no guarantee of any kind for the product and its characteristics.

Should you require product information in excess of the data given in this product data sheet or which concerns the specific application of our product, please contact the sales office, which is responsible for you (see [www.powersemi.cc](http://www.powersemi.cc)), For those that are specifically interested we may provide application notes.

Due to technical requirements our product may contain dangerous substances. For information on the types in question please contact the sales office, which is responsible for you.

Should you intend to use the Product in aviation applications, in health or live endangering or life support applications, please notify.

If and to the extent necessary, please forward equivalent notices to your customers.  
Changes of this product data sheet are reserved.