

STARPOWER

SEMICONDUCTOR

IGBT

GD2400SGL120C3SN

Molding Type Module

1200V/2400A 1 in one-package

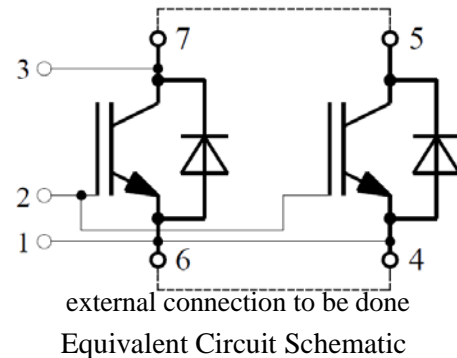
General Description

STARPOWER IGBT Power Module provides ultra low conduction loss as well as short circuit ruggedness. They are designed for the applications such as high power converters.



Features

- Low $V_{CE(sat)}$ SPT++ IGBT technology
- 10 μ s short circuit capability
- $V_{CE(sat)}$ with positive temperature coefficient
- Maximum junction temperature 175 °C
- Low inductance case
- Fast & soft reverse recovery anti-parallel FWD
- Isolated copper baseplate using DBC technology



Typical Applications

- High Power Converters
- Motor Drivers
- AC Inverter Drives

Absolute Maximum Ratings $T_C=25^\circ\text{C}$ unless otherwise noted

Symbol	Description	GD2400SGL120C3SN	Units
V_{CES}	Collector-Emitter Voltage	1200	V
V_{GES}	Gate-Emitter Voltage	± 20	V
I_C	Collector Current @ $T_C=25^\circ\text{C}$ @ $T_C=100^\circ\text{C}$	3550 2400	A
I_{CM}	Pulsed Collector Current $t_p=1\text{ms}$	4800	A
I_F	Diode Continuous Forward Current	2400	A
I_{FM}	Diode Maximum Forward Current $t_p=1\text{ms}$	4800	A
P_D	Maximum Power Dissipation @ $T_j=175^\circ\text{C}$	12.8	kW
T_{jmax}	Maximum Junction Temperature	175	$^\circ\text{C}$
T_{jop}	Operating Junction Temperature	-40 to +150	$^\circ\text{C}$
T_{STG}	Storage Temperature Range	-40 to +125	$^\circ\text{C}$
V_{ISO}	Isolation Voltage RMS, $f=50\text{Hz}$, $t=1\text{min}$	4000	V
Mounting Torque	Signal Terminal Screw:M4 Power Terminal Screw:M8 Mounting Screw:M6	1.8 to 2.1 8.0 to 10 4.25 to 5.75	N.m
Weight	Weight of Module	1500	g

Electrical Characteristics of IGBT $T_C=25^\circ\text{C}$ unless otherwise noted**Off Characteristics**

Symbol	Parameter	Test Conditions	Min.	Typ.	Max.	Units
$V_{(BR)CES}$	Collector-Emitter Breakdown Voltage	$T_j=25^\circ\text{C}$	1200			V
I_{CES}	Collector Cut-Off Current	$V_{CE}=V_{CES}$, $V_{GE}=0\text{V}$, $T_j=25^\circ\text{C}$			5.0	mA
I_{GES}	Gate-Emitter Leakage Current	$V_{GE}=V_{GES}$, $V_{CE}=0\text{V}$, $T_j=25^\circ\text{C}$			400	nA

On Characteristics

Symbol	Parameter	Test Conditions	Min.	Typ.	Max.	Units
$V_{GE(th)}$	Gate-Emitter Threshold Voltage	$I_C=96\text{mA}$, $V_{CE}=V_{GE}$, $T_j=25^\circ\text{C}$	5.4		7.4	V
$V_{CE(sat)}$	Collector to Emitter Saturation Voltage	$I_C=2400\text{A}$, $V_{GE}=15\text{V}$, $T_j=25^\circ\text{C}$		1.95	2.40	V
		$I_C=2400\text{A}$, $V_{GE}=15\text{V}$, $T_j=125^\circ\text{C}$		2.10		

Switching Characteristics

Symbol	Parameter	Test Conditions	Min.	Typ.	Max.	Units
$t_{d(on)}$	Turn-On Delay Time	$V_{CC}=600V, I_C=2400A,$ $R_{Gon}=1.0\Omega,$ $R_{Goff}=2.3\Omega,$ $V_{GE}=\pm 15V, T_j=25^\circ C$		188		ns
t_r	Rise Time			131		ns
$t_{d(off)}$	Turn-Off Delay Time			1040		ns
t_f	Fall Time			132		ns
E_{on}	Turn-On Switching Loss			272		mJ
E_{off}	Turn-Off Switching Loss			320		mJ
$t_{d(on)}$	Turn-On Delay Time	$V_{CC}=600V, I_C=2400A,$ $R_{Gon}=1.0\Omega,$ $R_{Goff}=2.3\Omega,$ $V_{GE}=\pm 15V, T_j=125^\circ C$		214		ns
t_r	Rise Time			184		ns
$t_{d(off)}$	Turn-Off Delay Time			1125		ns
t_f	Fall Time			138		ns
E_{on}	Turn-On Switching Loss			268		mJ
E_{off}	Turn-Off Switching Loss			416		mJ
C_{ies}	Input Capacitance	$V_{CE}=25V, f=1MHz,$ $V_{GE}=0V$		TBD		nF
C_{oes}	Output Capacitance			TBD		nF
C_{res}	Reverse Transfer Capacitance			TBD		nF
I_{SC}	SC Data	$t_p \leq 10\mu s, V_{GE}=15V,$ $T_j=150^\circ C, V_{CC}=900V,$ $V_{CEM} \leq 1200V$		9000		A
Q_G	Gate Charge	$V_{CC}=600V, I_C=2400A,$ $V_{GE}=-15 \dots +15V$		TBD		μC
R_{Gint}	Internal Gate Resistance			1.3		Ω
L_{CE}	Stray Inductance			12		nH
$R_{CC'+EE'}$	Module Lead Resistance, Terminal To Chip			0.19		m Ω

Electrical Characteristics of Diode $T_C=25^\circ C$ unless otherwise noted

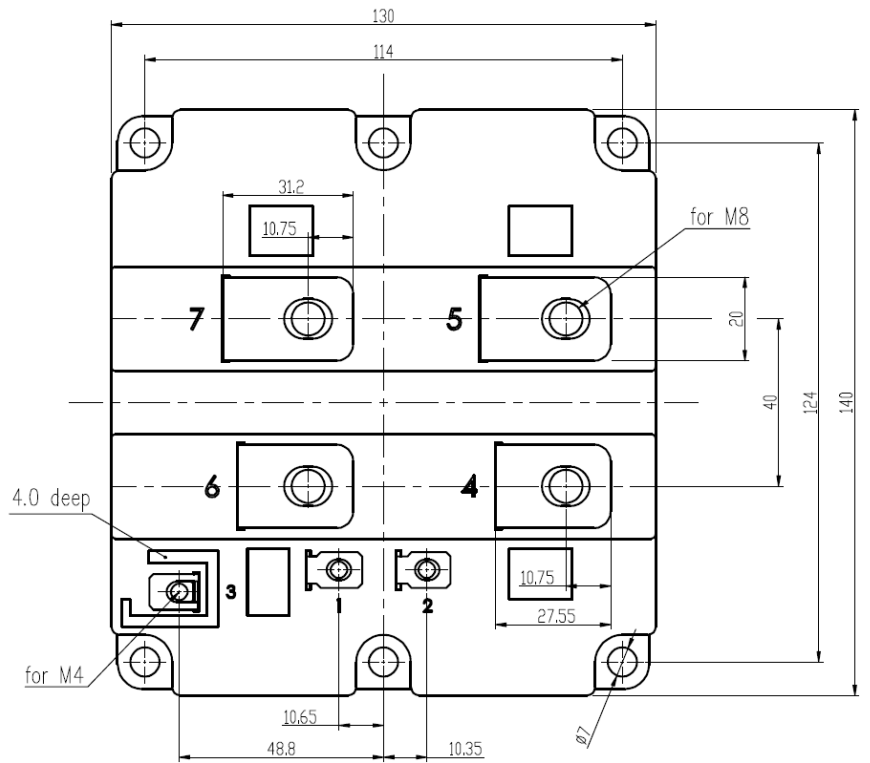
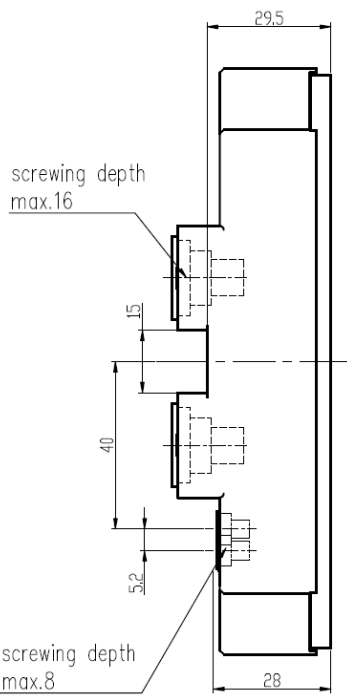
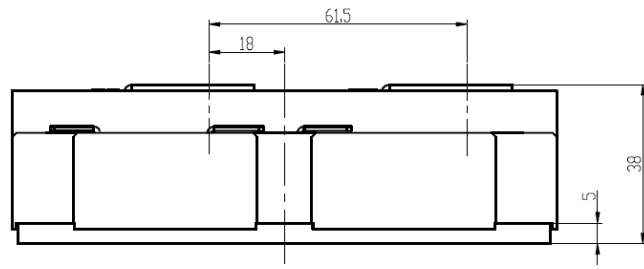
Symbol	Parameter	Test Conditions	Min.	Typ.	Max.	Units
V_F	Diode Forward Vd tage	$I_F=2400A$	$T_j=25^\circ C$	1.80	2.20	V
			$T_j=125^\circ C$	1.75		
Q_r	Recovered Charge	$I_F=2400A,$	$T_j=25^\circ C$	246		μC
			$T_j=125^\circ C$	435		
I_{RM}	Peak Reverse Recovery Current	$V_R=600V,$ $R_G=1.6\Omega,$	$T_j=25^\circ C$	810		A
			$T_j=125^\circ C$	1160		
E_{rec}	Reverse Recovery Energy	$V_{GE}=-15V$	$T_j=25^\circ C$	103		mJ
			$T_j=125^\circ C$	182		

Thermal Characteristics

Symbol	Parameter	Typ.	Max.	Units
$R_{\theta JC}$	Junction-to-Case (per IGBT)		11.7	K/kW
$R_{\theta JC}$	Junction-to-Case (per Diode)		21.9	K/kW
$R_{\theta CS}$	Case-to-Sink (Conductive grease applied)	6		K/kW

Package Dimensions

Dimensions in Millimeters



Terms and Conditions of Usage

The data contained in this product datasheet is exclusively intended for technically trained staff. you and your technical departments will have to evaluate the suitability of the product for the intended application and the completeness of the product data with respect to such application.

This product data sheet is describing the characteristics of this product for which a warranty is granted. Any such warranty is granted exclusively pursuant the terms and conditions of the supply agreement. There will be no guarantee of any kind for the product and its characteristics.

Should you require product information in excess of the data given in this product data sheet or which concerns the specific application of our product, please contact the sales office, which is responsible for you (see www.powersemi.cc), For those that are specifically interested we may provide application notes.

Due to technical requirements our product may contain dangerous substances. For information on the types in question please contact the sales office, which is responsible for you.

Should you intend to use the Product in aviation applications, in health or live endangering or life support applications, please notify.

If and to the extent necessary, please forward equivalent notices to your customers.
Changes of this product data sheet are reserved.